

PARTS LIST FOR 10 FT. TOWER/DOUBLE BLIND

Quantity	Part No	Description
4	L	2" Angle Legs
2	M	1" Angle Bottom Horizontal Brace at Ends
2	N	1" Angle Top Horizontal Brace at Ends
2	MS	1" Angle Bottom Horizontal Brace at Sides
2	NS	1" Angle Top Horizontal Brace at Sides
4	O	1/8" x 3/4" Flat Diagonal Brace at Ends
4	OS	1/8" x 3/4" Flat Diagonal Brace at Sides
2	P	3/4" Angle Ladder Runners
9	Q	3/4" Angle Ladder Rungs
4	J	2" Angle Tower Base/Foot
8	K	Tower Anchor Clips
1	U	Hand Bar
62	Bolt	5/16" x 3/4" Bolt
62	Lock Washer	5/16" Split Lock Washer
62	Nut	5/16" Hex Nut
30	Bolt	1/4" x 3/4" Bolt
30	Lock Washer	1/4" Split Lock Washer
30	Nut	1/4" Hex Nut
4	U Bolt	5/16" u bolts w/Hardware to secure ladder to tower braces

USE AT YOUR OWN RISK

Blinds and Towers must be
 Properly assembled and
 Anchored to the ground.

ASSEMBLY INSTRUCTIONS FOR THE 10 FT. TOWER/DOUBLE BLIND

Note: Do not tighten any bolts in the Tower assembly until all bolts are installed.

1. Remove the (K) clips from this package and assemble the blind, being sure to install these clips according to the blind instructions.
2. Lay the blind on its side, protecting it with the cardboard packaging. Position the blind with the door facing to the right or left. Raise the bottom of the blind (floor end only) 10-14 inches off the ground with a support.
3. Attach the (U) handle to the (S) corner post nearest the door opening. Remove the first and second bolts from the bottom of the (S) corner post. Position the (U) handle and attach by reinstalling the bolts. (Fig. 4)

Note: Use ¼” bolts, nuts & lock washers for ladder assembly.

4. Attach the (L) Legs to (K) K-Clips using (M) & (N) Horizontal Bracing as necessary for support. (Fig. 1)
5. Complete the tower by adding all braces as shown. (Fig. 2 & Fig. 3)
6. Attach the (J) Feet as shown. (Fig. 2)
7. Assemble & install the ladder using bolts and U-bolts as pictured. Attach top two holes in ladder runners using existing bolts used to attach the “Z” plate, underneath the blind (opposite the “Z” and behind the angle iron supporting the floor). (Fig. 4)
8. Tighten all bolts/nuts.
9. **After raising the blind/tower into position, it must be anchored.**

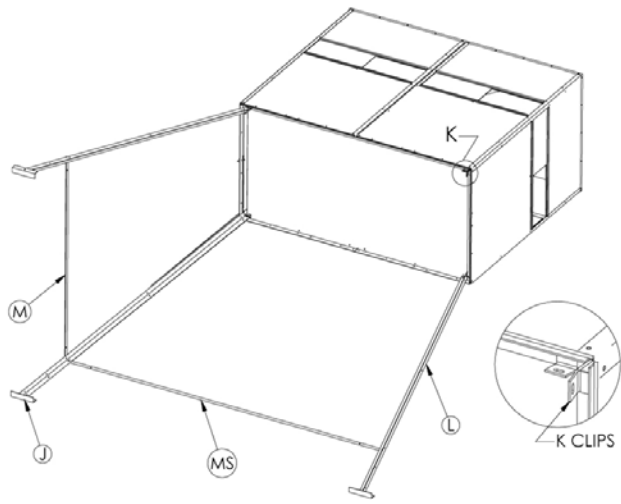


Figure 1

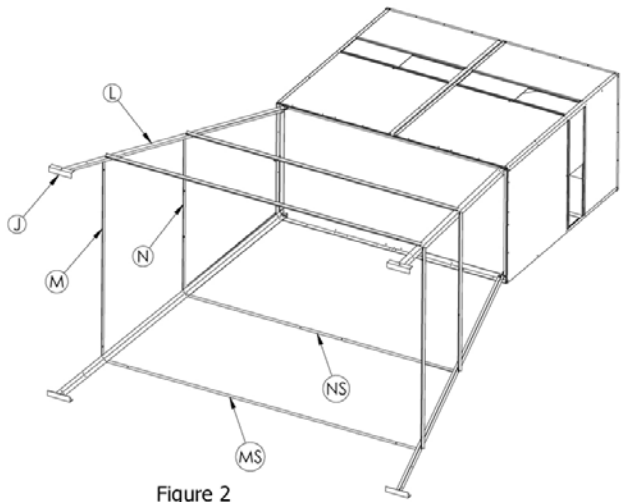


Figure 2

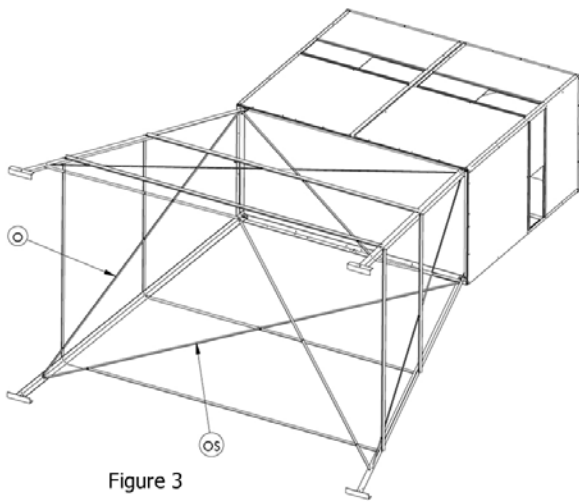


Figure 3

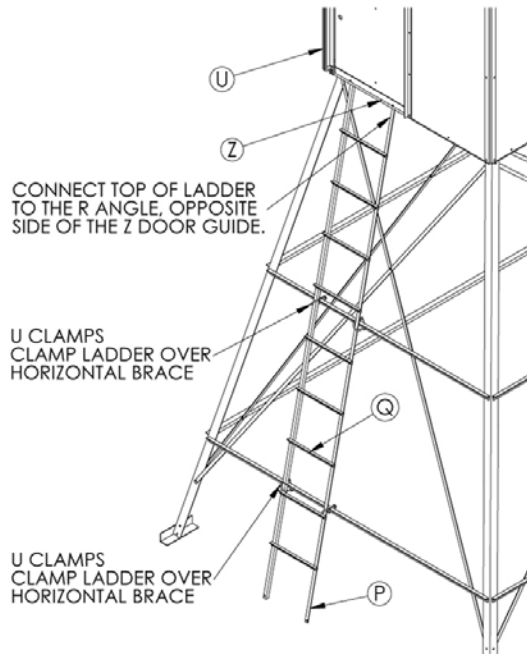


Figure 4

PART ORIENTATION QUICK REFERENCE

