

Note: 15 FT TOWERS INCLUDE A 10 FT. TOWER AND 5 FT. EXTENSION

**PARTS LIST FOR 10 FT. TOWER
 FOR TEXAS HUNTER (4'X4') SINGLE BLIND**

Quantity	Part No.	Description
4	L	1 1/2" Angle Legs
4	M	1" Angle Bottom Horizontal Brace
4	N	1" Angle Top Horizontal Brace
4	O	1/8" x 3/4" Angle Diagonal Brace
2	P	3/4" Ladder Runners
9	Q	3/4" Angle Ladder Rungs
4	J	1 1/2" Angle Tower Base/Foot
8	K	Tower Anchor Clips
1	U	Hand Bar
75	Bolt	1/4" x 3/4" Bolt
75	Lock Washer	1/4" Split Lock Washer
75	Nut	1/4" Hex Nut
4	U Bolt	5/16" u bolts w/Hardware to secure ladder to tower braces

USE AT YOUR OWN RISK

Blinds and Towers must be
 Properly assembled and
 Anchored to the ground.



ASSEMBLY INSTRUCTIONS FOR THE 10 FT. TOWER/SINGLE BLIND

Note: Do not tighten any bolts in the Tower assembly until all bolts are installed.

1. Remove the (K) clips from this package and assemble the blind, being sure to install these clips according to the blind instructions.
2. Lay the blind on its side with the door facing up, protecting it with the cardboard packaging. Raise the bottom of the blind (floor-end only) 10 - 14 inches off the ground with a support.
3. Attach the (U) handle to the (S) corner post nearest the door opening. Remove the first and second bolts from the bottom of the (S) corner post. Position the (U) handle and attach by reinstalling the bolts. (Fig. 1)
4. Attach the (L) Legs to (K) K-Clips using (M) & (N) Horizontal Bracing as necessary for support. (Fig. 1)
5. Complete the tower by adding all braces as shown. (Fig. 2 & Fig. 3)
6. Attach the (J) Feet as shown. (Fig 2)
7. Assemble & install the ladder using bolts and U-bolts as pictured. Attach top two holes in ladder runners using existing bolts used to attach the "Z" plate, underneath the blind (opposite the "Z" and behind the angle iron supporting the floor). (Fig. 4)
8. Tighten all bolts/nuts.
9. **After raising the blind/tower into position, it must be anchored.**

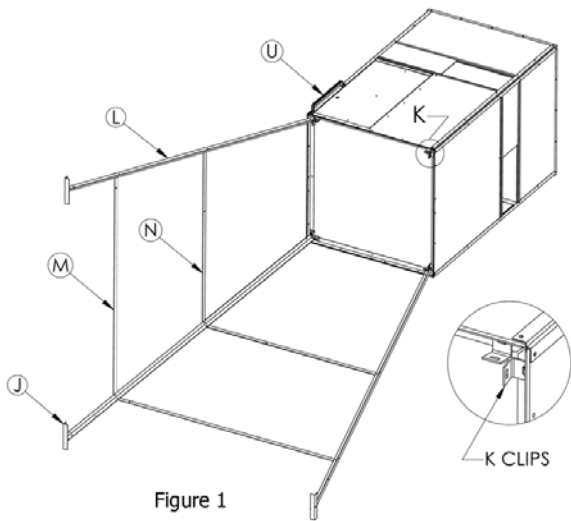


Figure 1

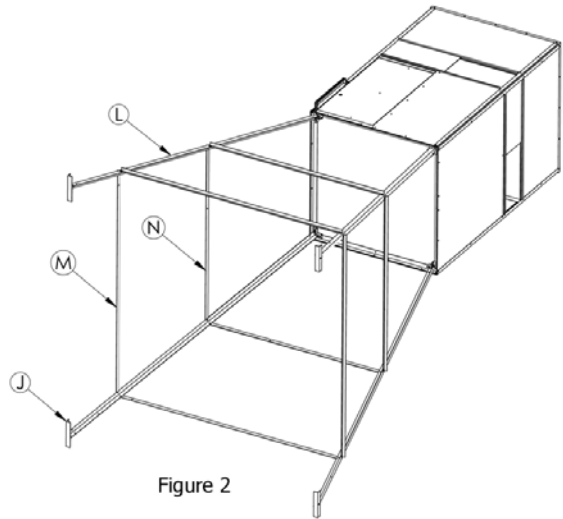


Figure 2

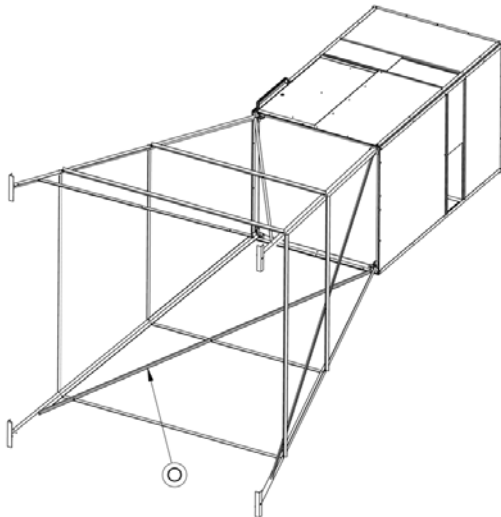


Figure 3

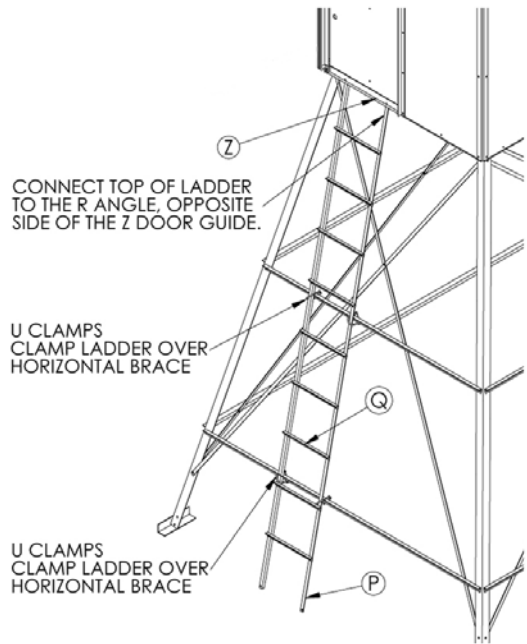
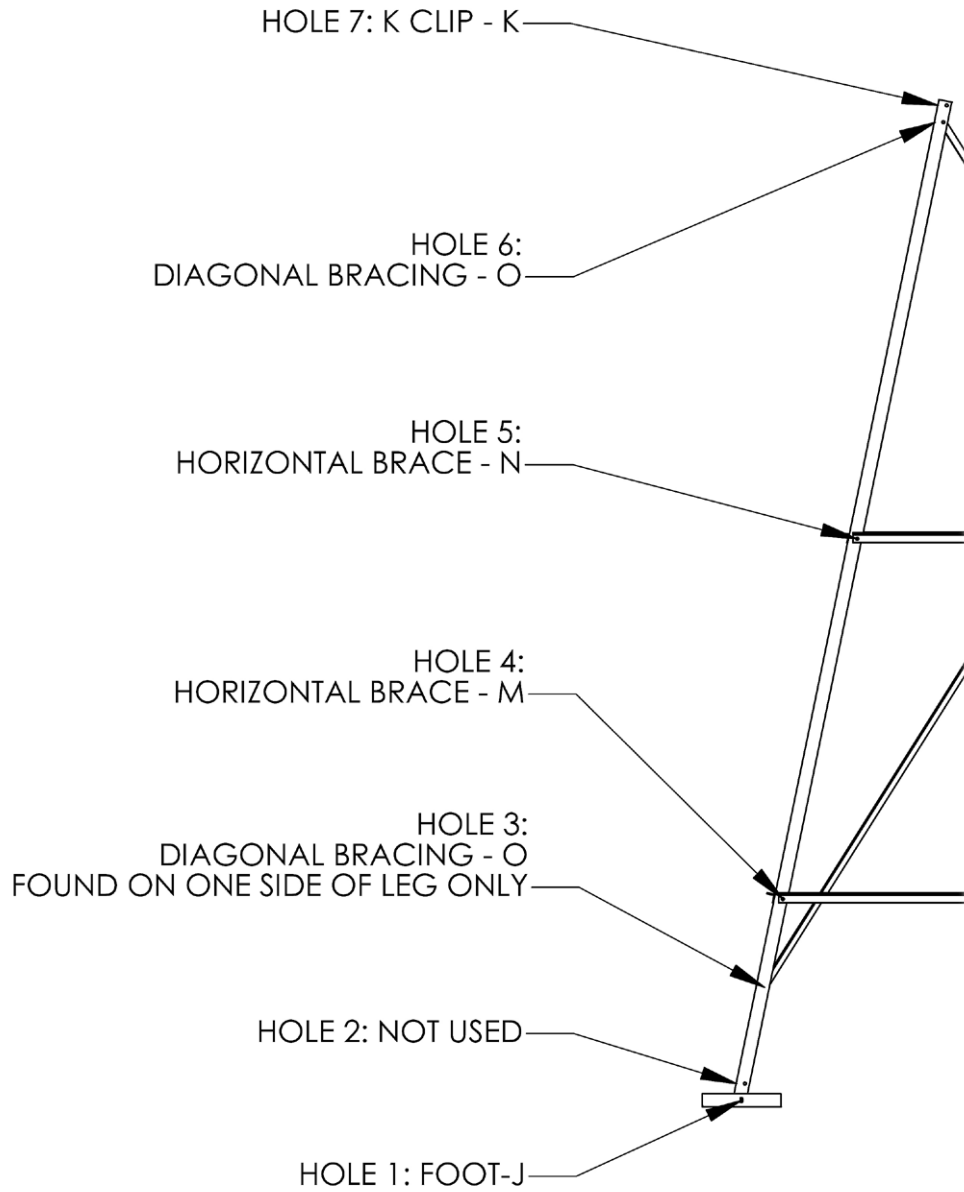


Figure 4

PART ORIENTATION QUICK REFERENCE



PARTS LIST FOR 5 FT. TOWER EXTENSION /SINGLE BLIND

Quantity	Part No.	Description
4	#1	1 ½" Angle Legs
4	#2	1" Angle Horizontal Braces
8	#3	1/8" x ¾" Flat Diagonal Braces
5	#4	¾" Angle Ladder Rungs
2	#5	¾" Angle Ladder Runners
4	#6	1 ½" Angle Leg Splice
2	#9	1" Angle Ladder Splice
82	Bolt	¼" x ¾" Bolt
82	Lock Washer	¼" Split Lock Washer
82	Nut	¼" Hex Nut
2	U Bolt	5/16" u bolts w/Hardware to secure ladder to tower braces

USE AT YOUR OWN RISK

Blinds and Towers must be
 Properly assembled and
 Anchored to the ground.

ASSEMBLY INSTRUCTIONS FOR THE 5 FT. TOWER EXTENSION /SINGLE BLIND

Note: Do not tighten any bolts in the Tower assembly until all bolts are installed.

10. Build the 10' Tower using the instructions included in its package. Note: Do not install the (J) Feet during the Tower assembly.

Note: Use the ¼" Bolts, Lock Washers & Nuts as fasteners for the following steps.

11. Attach the (#1) Extension Legs to the (L) Tower Legs using (#6) Leg Splice. Use the (#2) Horizontal Bracing as necessary for support. (Fig. 1 & Fig. 2)

12. Attach the (#3) Diagonal Bracing to the interior side of the (#1) Extension Legs & the (L) Tower Legs. (Fig. 3)

13. Attach the (J) Feet as shown. (Fig 3)

14. Assemble & install the ladder using the (#9) Ladder Splice & U-bolts as pictured. (Fig. 4)

15. Tighten all bolts/nuts.

16. After raising the blind/tower into position, it must be anchored.

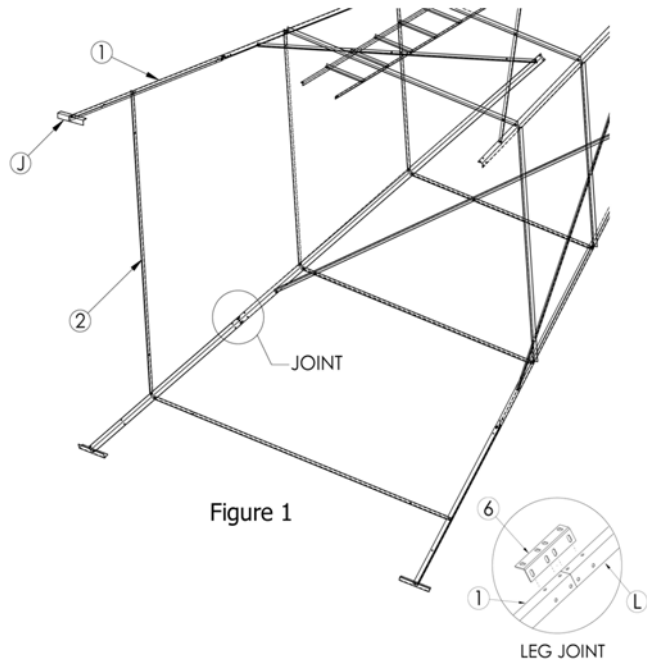


Figure 1

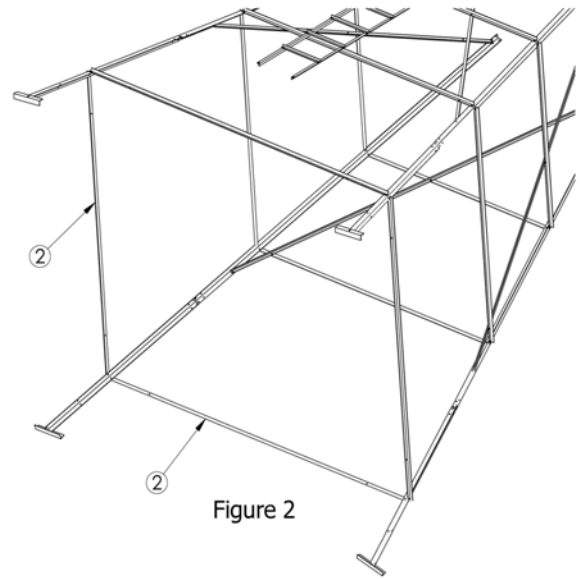


Figure 2

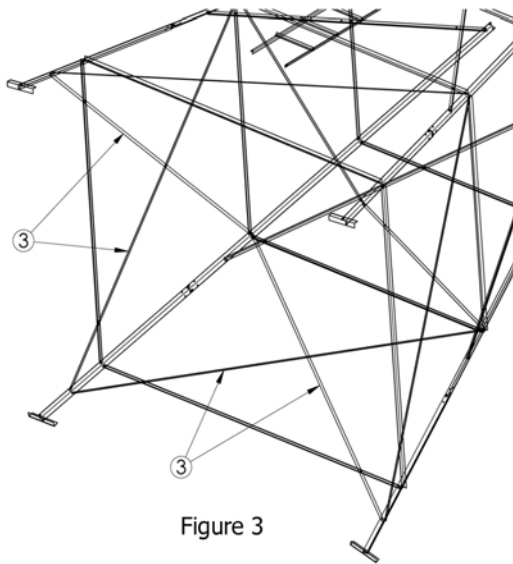


Figure 3

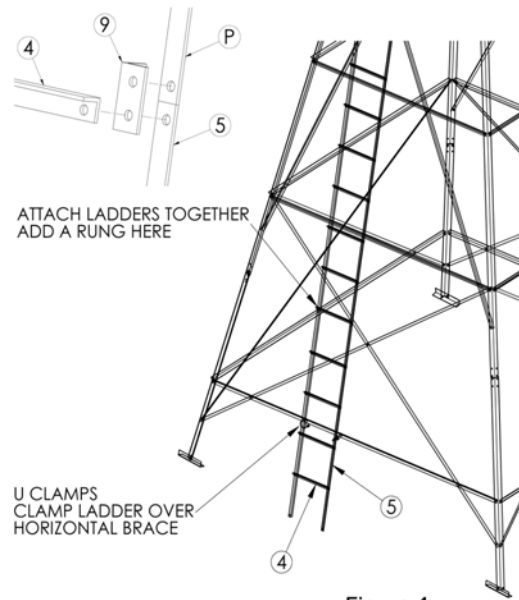


Figure 4

PART ORIENTATION QUICK REFERENCE

