

**PARTS LIST FOR 5 FT. TOWER EXTENSION /DOUBLE BLIND**

Quantity	Part No.	Description
4	#1	2" Angle Legs
2	#2	1" Angle Horizontal Braces
2	#2S	1" Angle Horizontal Braces
4	#3	1/8" x 3/4" Flat Diagonal Braces
4	#3S	1/8" x 3/4" Flat Diagonal Braces
5	#4	3/4" Angle Ladder Rungs
2	#5	3/4" Angle Ladder Runners
4	#6	2" Angle Leg Splice
2	#9	1" Angle Ladder Splice
70	Bolt	5/16" x 3/4" Bolt
70	Lock Washer	5/16" Split Lock Washer
70	Nut	5/16" Hex Nut
16	Bolt	1/4" x 3/4" Bolt
16	Lock Washer	1/4" Split Lock Washer
16	Nut	1/4" Hex Nut
2	U Bolt	5/16" u bolts w/Hardware to secure ladder to tower braces

**USE AT YOUR OWN RISK**

Blinds and Towers must be  
 Properly assembled and  
 Anchored to the ground.

## ASSEMBLY INSTRUCTIONS FOR THE 5 FT. TOWER EXTENSION /DOUBLE BLIND

**Note: Do not tighten any bolts in the Tower assembly until all bolts are installed.**

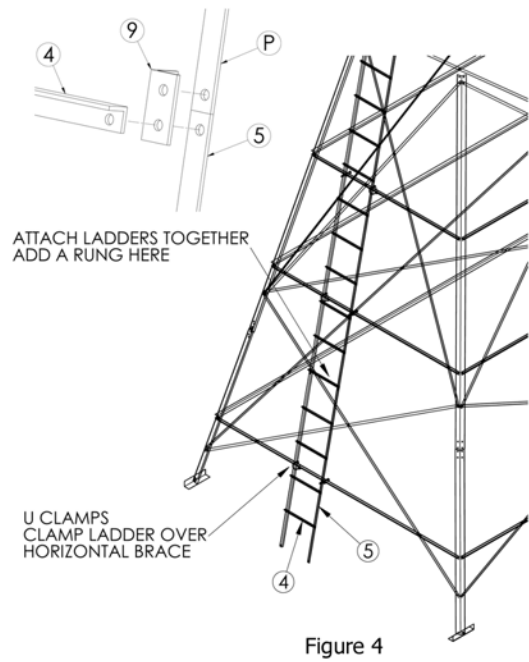
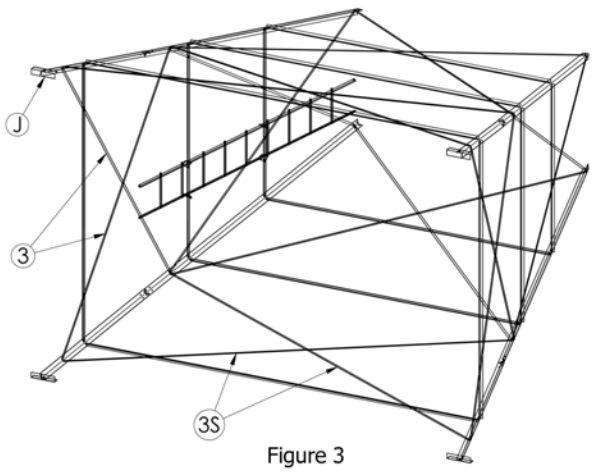
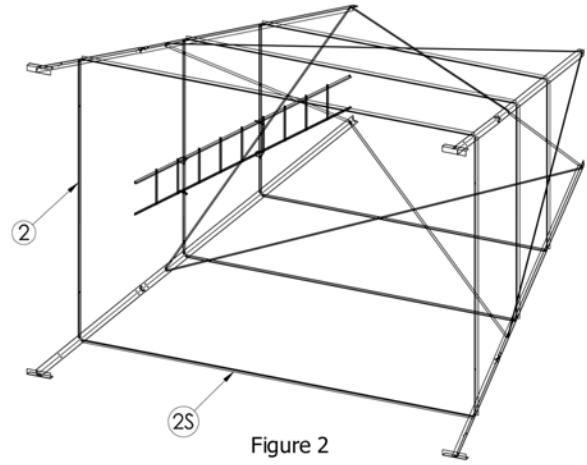
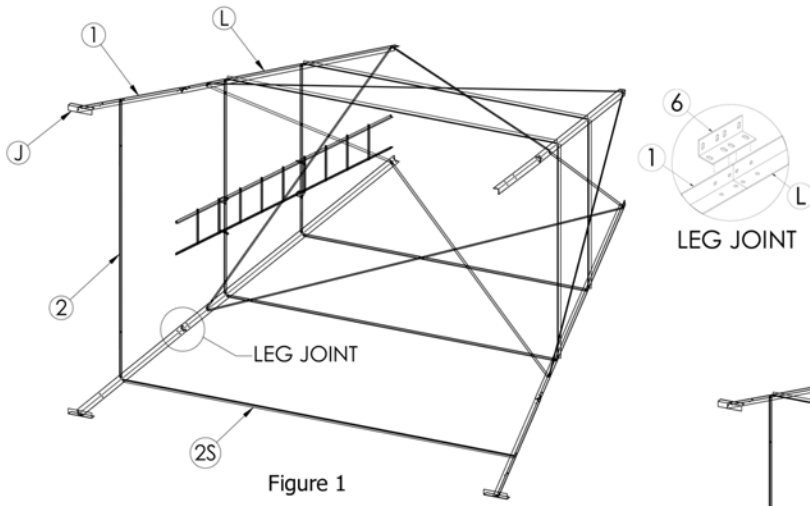
1. Build the 10' Tower using the instructions included in its package. Note: Do not install the (J) Feet during the Tower assembly.

**Note: Use the 5/16" Bolts, Lock Washers & Nuts as fasteners for the following steps.**

2. Attach the (#1) Extension Legs to the (L) Tower Legs using (#6) Leg Splice. Use the (#2 and #2S) Horizontal Bracing as necessary for support. (Fig. 1 & Fig. 2)
3. Attach the (#3 and #3S) Diagonal Bracing to the interior side of the (#1) Extension Legs & the (L) Tower Legs. (Fig. 3)
4. Attach the (J) Feet as shown. (Fig 3)

**Note: Use the 1/4" Bolts, Lock Washers & Nuts as fasteners for the following steps.**

5. Assemble & install the ladder using the (#9) Ladder Splice and U-bolts as pictured. (Fig. 4)
6. Tighten all bolts/nuts.
7. **After raising the blind/tower into position, it must be anchored.**



# PART ORIENTATION QUICK REFERENCE

