

Trophy Blind Tie-Down Instructions

No matter which model or where you install your Texas Hunter Trophy Blind you need tie-downs and anchors to keep your blind stable and secure.

We recommend a J-hook anchor system with a minimum of 1,000lb rated cable and turnbuckle to secure your blind. Only use anchoring equipment that is weather and corrosion resistant. Installation of the anchors as explained in steps 1-6 below should be done prior to standing-up the blind. Make sure your blind is level before anchoring it to the ground. (Ground blind models use one center J-hook anchor cabled to the legs.)

1. Use the footprint dimensions of the tower to determine anchor placement. Add about 2 feet to those dimensions to create a larger square or rectangle pattern outside the blind footprint. See the chart below.

SINGLE BLIND FOOTPRINT	SINGLE BLIND TIE-DOWN CABLE	DOUBLE BLIND FOOTPRINT	DOUBLE BLIND TIE-DOWN CABLE
DB-G = 4' x 4'	(4) 3' 6" CABLES	DDBG = 4' x 8'	(4) 5' 6" CABLES
DB-5 = 5' 6" SQUARE	(4) 10' CABLES	DDB5 = 9'x6" x 6'x6'	(4) 15' CABLES
DB-10 = 7' 6" SQUARE	(4) 15' CABLES	DDB10 = 11'x6" x 7'x6"	(4) 20' CABLES
DB-15 = 9' 6" SQUARE	(4) 20' CABLES	DDB15 = 13'x6" x 9'x6"	(4) 25' CABLES

2. Dig four holes just outside each tower leg 30" deep with a 6" diameter, preferably with a post-hole digger to provide a deep, narrow hole.
3. Insert the J-hook in the center of each hole with the "J" end positioned at the bottom of the hole. Note the O-ring at the top of the hook should be approximately 3" above the surface of the ground.
4. Mix one bag of ready-mix concrete per hole, and pour down each hole (50 to 80 pound bag).
5. Straighten J-hooks to ensure that they are completely surrounded by concrete.
6. Let dry overnight and fill the remainder of the holes with soil, when applicable.
7. Attach the cables as shown, one from each O-ring to the opposite upper corner of the tower (Figure 2). The cables will cross over each other as they span from the tower to the anchors.
8. Attach the turnbuckle to the O-ring at the top of each J-hook as shown.
9. Adjust the tension of each cable until all four cables have tightly secured the blind to the ground. Do not over-tighten.

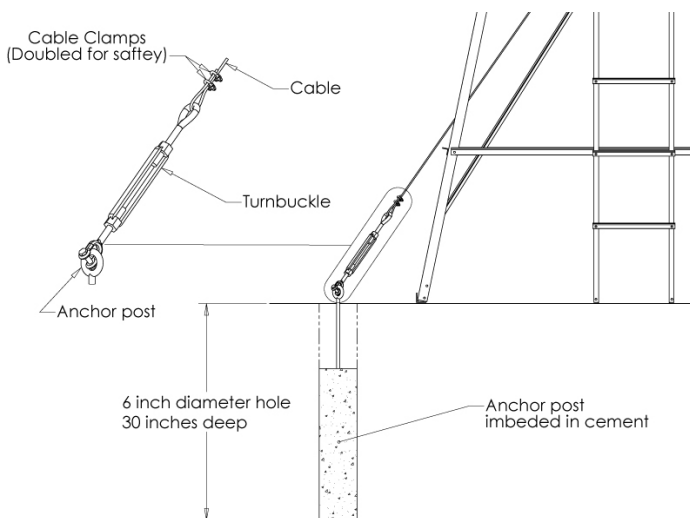


Figure 1

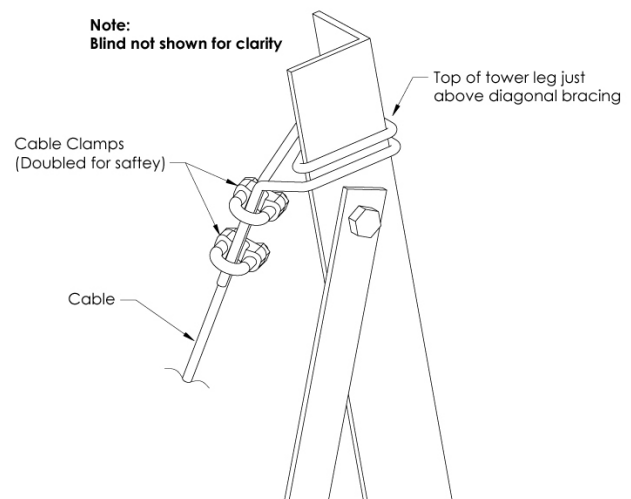


Figure 2